

# TM12E/TM16E

## ELECTRIC DRIVE TELESCOPIC MAST LIFTS



- Industry-leading electric drive telescopic mast lifts
- Versatile, robust and simple to use
- Drives through a standard doorway
- Smooth & efficient electric drive
- Ideal for many applications – from construction to stockpicking!



**snorkel**<sup>™</sup>

[www.snorkellifts.com](http://www.snorkellifts.com)

# ELECTRIC DRIVE TELESCOPIC MAST LIFTS

# TM12E/TM16E

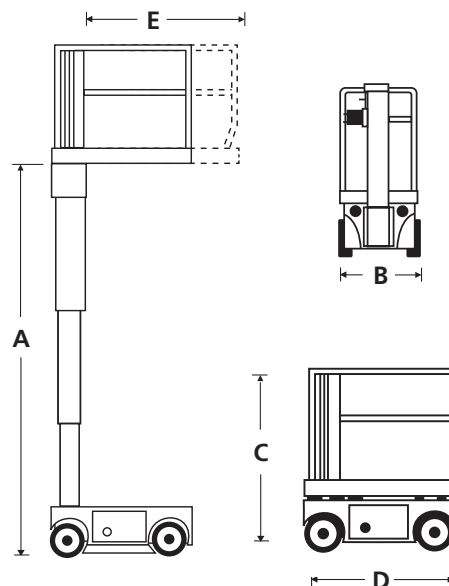
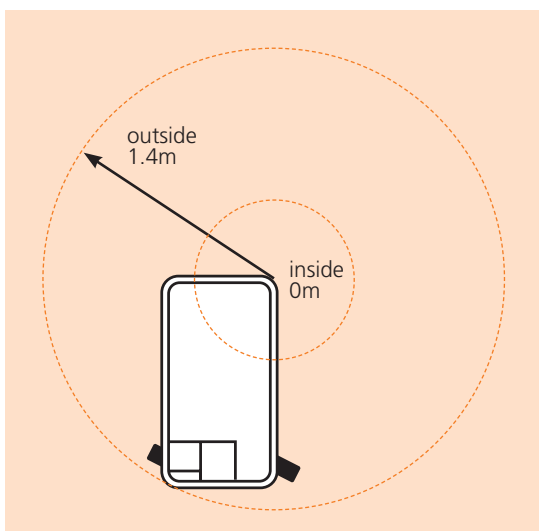
DIMENSIONS	TM12E	TM16E
Max. working height	5.65m	6.87m
Max. platform height (A)	3.65m	4.87m
Platform size (stowed)	0.68m x 0.99m	0.68m x 0.99m
Platform size (extended) (E)	0.68m x 1.5m	0.68m x 1.5m
Deck extension length	0.51m	0.51m
Overall width (B)	0.76m	0.76m
Overall length (D)	1.37m	1.37m
Stowed height (C)	1.7m	1.98m
Ground clearance	76mm	76mm

PERFORMANCE		
Platform capacity (SWL)	227kg	227kg
Max. drive height	3.65m	4.87m
Max. wind speed	12.5m/s	0m/s
Max. drive speed (stowed)	4.0km/h	4.0km/h
Max. drive speed (elevated)	0.6km/h	0.6km/h
Raise/lower time	12.5/10.5sec	12.5/10.5sec
Gradeability	25%	25%
Max. operating slope (side to side)	2°	1.5°
Max. operating slope (front to back)	2°	1.5°
Inside turning radius	0m	0m
Outside turning radius	1.4m	1.4m
Tyres	323mm non-marking rubber	
Parking brake	2 wheel, spring applied, electric release	
Drive system	dual DC motors	
Controls	proportional	

POWER		
Power source	24V 220Ah batteries	
Battery charger	20 amp	20 amp

WEIGHT		
Weight	840kg	1,105kg

## TURNING RADIUS



## STANDARD FEATURES

- Roll-out deck extension
- Proportional controls
- Saloon-door style entry gates
- Descent & tilt alarms
- Emergency lowering at chassis controls
- Non-marking rubber tyres
- Crane lift points
- Horn
- 2 persons indoor
- 1 person outdoor (TM12E only)
- Selectable motion alarm
- Integrated battery charger 110V 20A
- Hour meter & on-board diagnostics display
- 2 year parts & labour, 5 year structural warranty
- CE approved

## OPTIONS

- Special paint colours
- Environmental hydraulic oil
- Order picker tray

**snorkel**

Vigo Centre, Birtley Road,  
Washington, Tyne & Wear,  
NE38 9DA, U.K.

t: +44 (0) 845 1550 057

e: sales.emea@snorkellifts.com

www.snorkellifts.com